

b 10

Van



PRODUCT CARD

P-IMP-MKT-XX · 0423-3 EN

be bath
be a ten

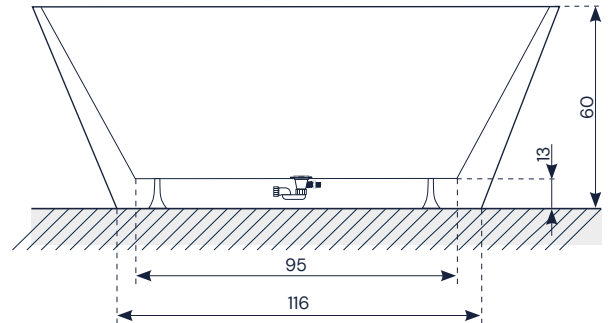
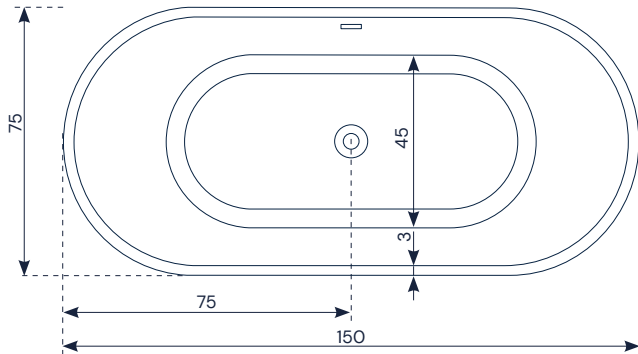
Van

150x75 cm

Acrylic



Glossy White



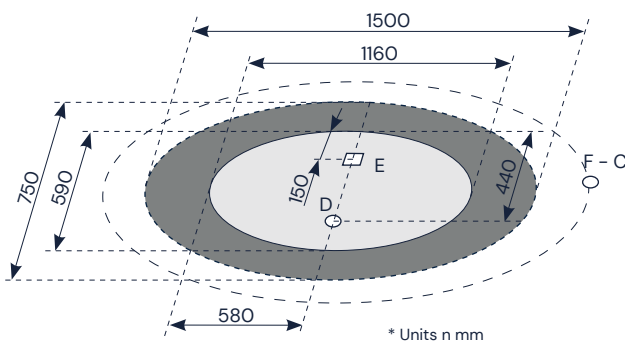
Bath height: 58 cm

Technical characteristics

 Air System	
Capacity	240 l
Bathtub weight	42,00 kg
Weight with hydro	47,20 kg
Shipping weight	59,20 kg
Shipping volumen	1,409 m ³
Shipping dimensions	1,52 x 0,61 x 0,77 m

Preinstallation

FREE STANDING BATHTUBS



NOTE: Installation must be carried out with finished walls and flooring.

- F Cold water connection for taps
- C Hot water connection for taps

- D Drain connection Ø 40 mm
- E Electrical connection IPX5

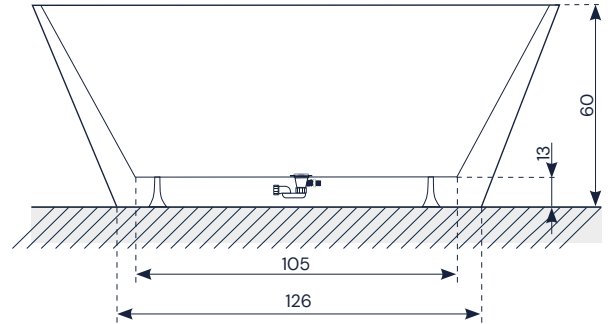
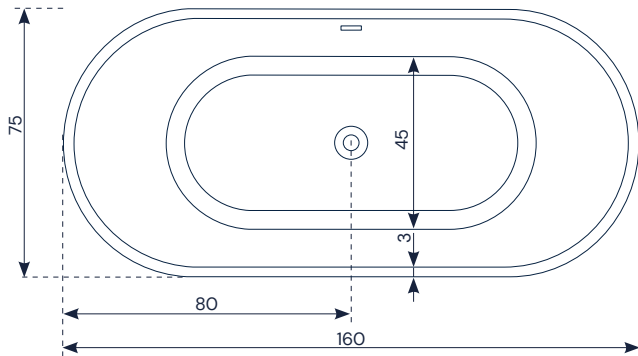
Van

160x75 cm

Acrylic



Glossy White



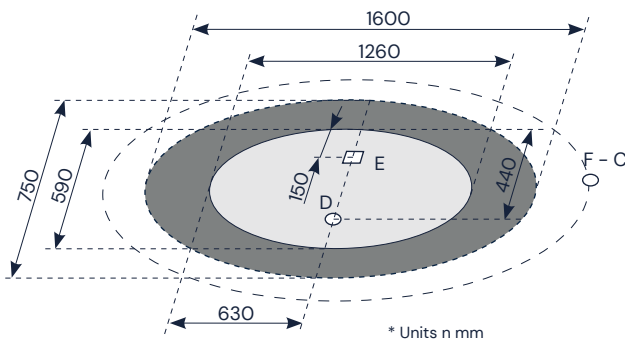
Bath height: 58 cm

Technical characteristics

 Air System	
Capacity	250 l
Bathtub weight	43,00 kg
Weight with hydro	48,20 kg
Shipping weight	60,20 kg
Shipping volumen	1,60 m ³
Shipping dimensions	1,62 x 0,61 x 0,77 m

Preinstallation

FREE STANDING BATHTUBS



NOTE: Installation must be carried out with finished walls and flooring.

- F Cold water connection for taps
- C Hot water connection for taps

- D Drain connection Ø 40 mm
- E Electrical connection IPX5

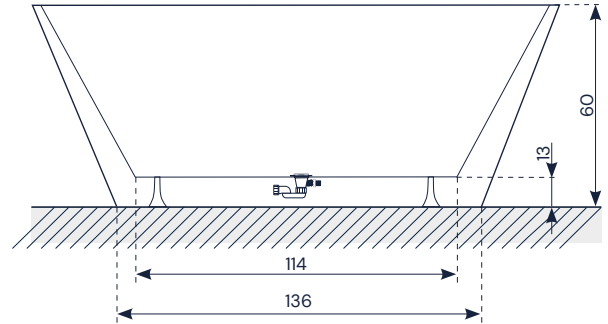
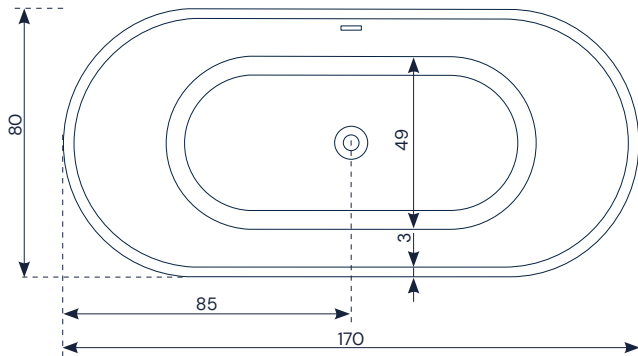
Van

170x80 cm

Acrylic



Glossy White



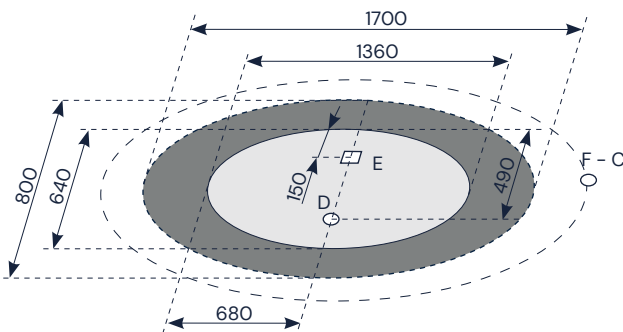
Bath height: 58 cm

Technical characteristics

 Air System	
Capacity	270 l
Bathtub weight	44,00 kg
Weight with hydro	49,20 kg
Shipping weight	61,20 kg
Shipping volumen	1,805 m ³
Shipping dimensions	1,72 x 0,61 x 0,82 m

Preinstallation

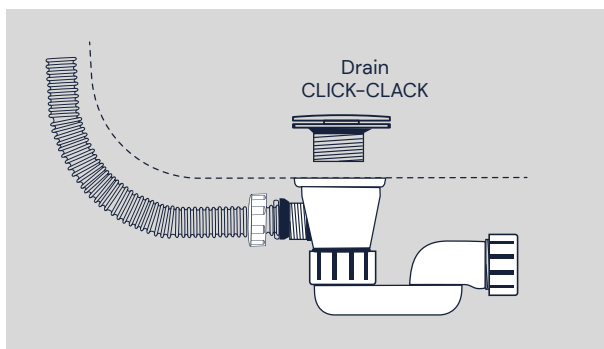
FREE STANDING BATHTUBS



NOTE: Installation must be carried out with finished walls and flooring.

- F Cold water connection for taps
- C Hot water connection for taps


- D Drain connection Ø 40 mm
- E Electrical connection IPX5



WARNING, BEFORE CONNECTION AND DEFINITIVE INSTALLATION OF THE BATH: Build or install the necessary support, then check the correct seating of the bathtub on it, if everything is correct, proceed to make the connections and to the final positioning of the bathtub.

b10 recommends fitting the bathtub with panels. Otherwise, removeable plasterboard partitions or similar should be made, leaving a ventilation register on the motor side of about 30x30cm. b10 shall in no case bear the costs of the work and materials required for the removal of the product for inspection or repair.

Electrical characteristics

 Air System	
Motor	-
Air blower	400 W
Heating	-
Chromotherapy	-
Total consumption	400 W
Intensity	1,81 / 3,63 A
Voltage	220 / 110 V
Frequency	50 / 60 Hz
Sanitisation	-

Electrical safety


The whirlpool bathtubs are manufactured in accordance with the European regulations EN60 335-2-60.

The bathtub must be connected to a fixed mains installation in accordance with IEC 364 and current legislation. The electrical connection must be suitable for current consumption, equipped with an efficient ground connection and protected against splashes IPX5.

The bath must be connected to the mains supply by means of a double-polarity differential switch with a maximum of 30 mA and a magnetothermic switch suitable for product consumption with a minimum opening between contacts of 3 mm.

All our bathtubs have a ground connection used for their additional equipotential bonding between all existing ground in the bathroom (EC 364-7). It is prohibited any electrical connection in a radius of at least 60 cm and a minimum height of 230 cm round the tub.

Hydraulic characteristics

 Air System	
Water flow rate	-
Air flow rate	1.067 l/min
Sanitisation intake	NA

Hydraulic installation

Predispose the hot and cold water connections of the taps for bathtub filling and drain connection (see recommendations).

In the event that the hardness of the water supplied is too high and to ensure the proper functioning of the equipment, it is advisable to install a descaler.

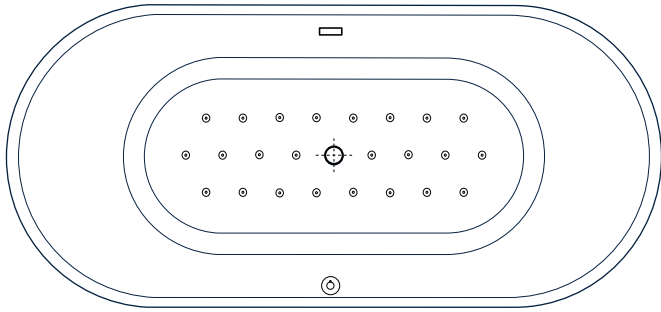
For version with sanitisation intake it is recommended to install at the indicated point a stopcock with filter.

NA Not available
OP Optional



Systems

AirSystem



- ⊗ Drain
- ▭ Overflow
- ⊙ Electronic push
- ⊙ Injectors

Equipment

Air System	
Motor	x
Jets	x
Suction	x
Air blower	●
Air nozzles	24
Dorsal jets	x
Drain click-clack	●
Overflow	●
Pneumatic push	x
Electronic push	●
Chromotherapy	x
Heating	x
Sanitization	Opcional
Aromatherapy	Opcional
Light	x
Bathroom taps	Opcional
Level sensor	x
BConnect	x
Panels	Opcional
Automatic stop	●

x Not available

● Available

The data and characteristics indicated do not bind BAÑOS 10 S.L., which reserves the right to make any changes it deems appropriate, without being bound by it upon prior notice or replacement. Valid data except error or omission.



Ctra. Onda - Vila-real, Km. 12,6
12200 Onda (Castellón) Spain
+34 964 626 300

Customer service export@b10bath.com
www.b10bath.com