

b10

Lyra



PRODUCT CARD

P-IMP-MKT-XX · 0323-1 EN

be **bath**
be a ten

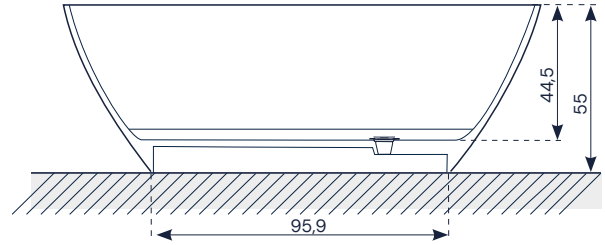
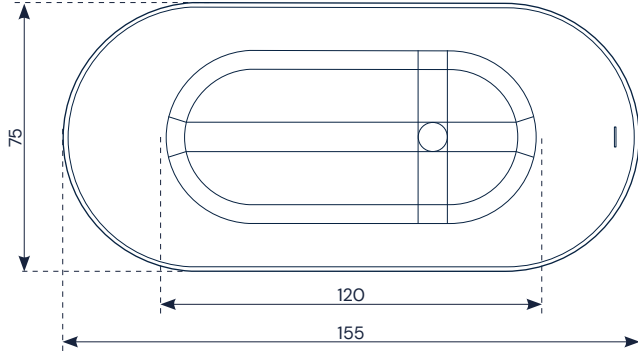
Lyra

155x75 cm

SolidCoat
Surface



Blanco

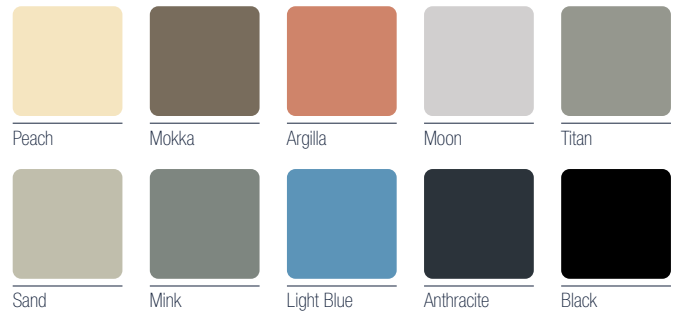


Bath height: 55 cm

Technical characteristics

Lyra	
Capacity	285 l
Bathtub weight	120 kg
Shipping weight	172 kg
Shipping volumen	1,358 m ³
Shipping dimensions	1,83 x 0,99 x 0,75 m

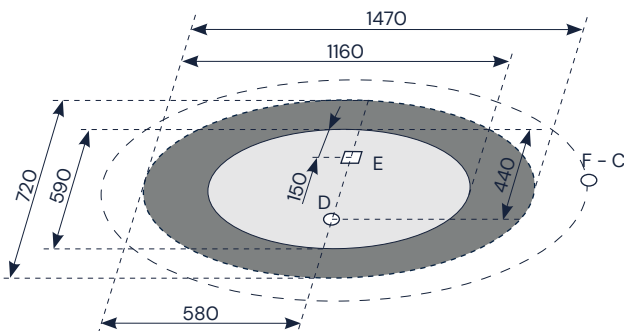
Optional finishes



Color applied externally | Couleur appliquée à l'extérieur | Color aplicado exteriormente

Preinstallation

FREE STANDING BATHTUBS

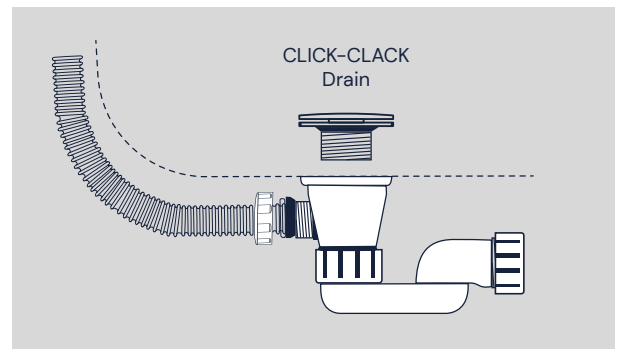


* Units in mm

- F Cold water connection for taps
- C Hot water connection for taps

- D Drain connection Ø 40 mm
- E Electrical connection IPX5

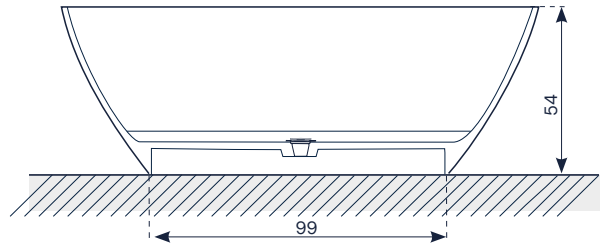
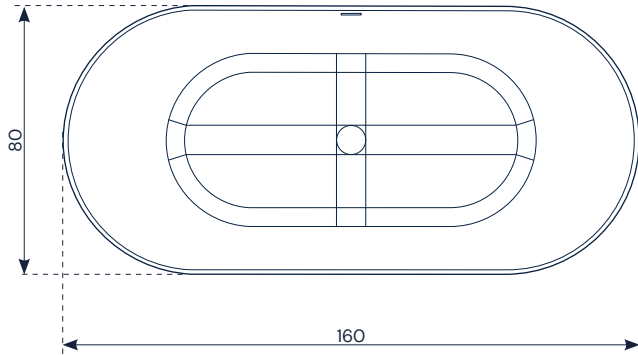
NOTE: Installation must be carried out with finished walls and flooring.





Lyra

160x80 cm

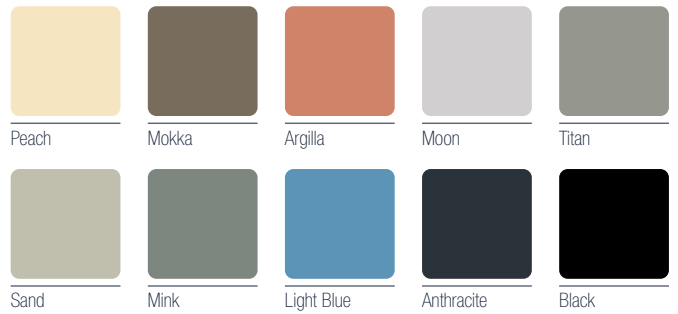


Bath height: 55 cm

Technical characteristics

Lyra	
Capacity	300 l
Bathtub weight	128 kg
Shipping weight	180 kg
Shipping volumen	1,358 m ³
Shipping dimensions	1,83 x 0,99 x 0,75 m

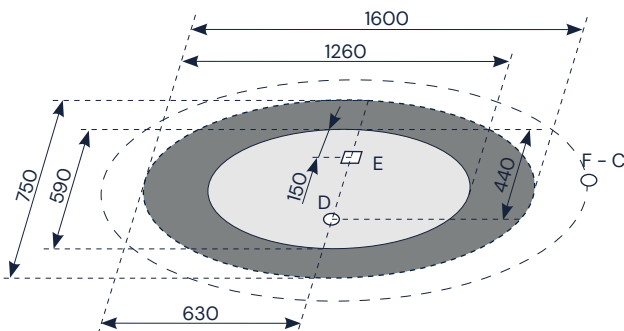
Optional finishes



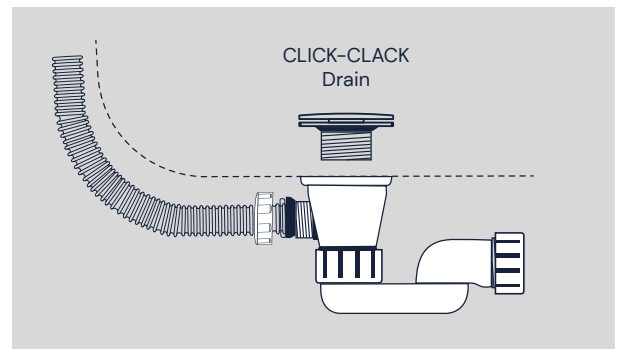
Color applied externally | Couleur appliquée à l'extérieur | Color aplicado exteriormente

Preinstallation

FREE STANDING BATHTUBS



* Units in mm



- F Cold water connection for taps
- C Hot water connection for taps

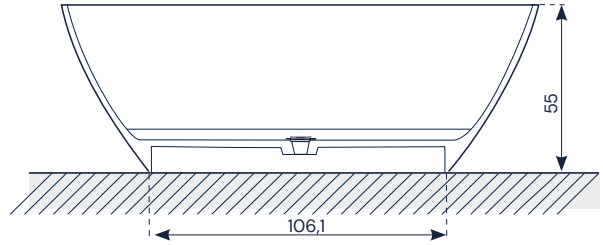
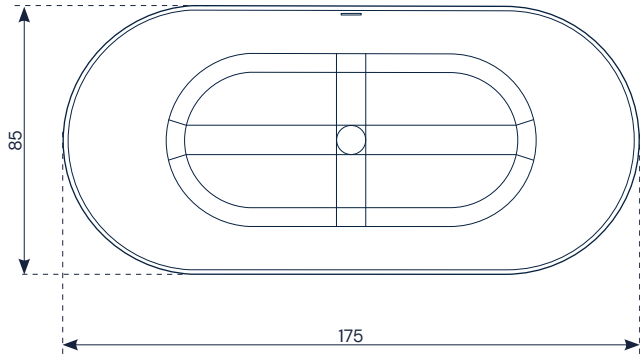
- D Drain connection Ø 40 mm
- E Electrical connection IPX5

NOTE: Installation must be carried out with finished walls and flooring.



Lyra

175x85 cm

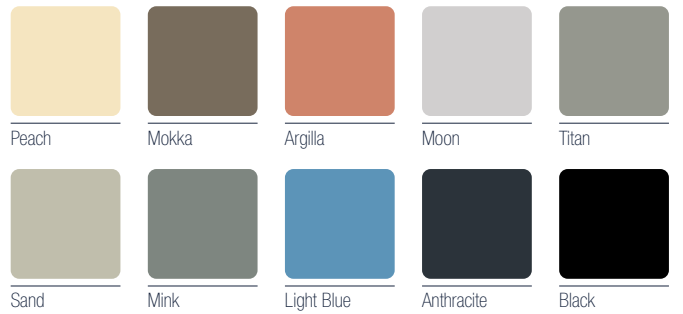


Bath height: 55 cm

Technical characteristics

Lyra	
Capacity	352 l
Bathtub weight	145 kg
Shipping weight	194 kg
Shipping volumen	1,455 m ³
Shipping dimensions	1,98 x 0,98 x 0,75 m

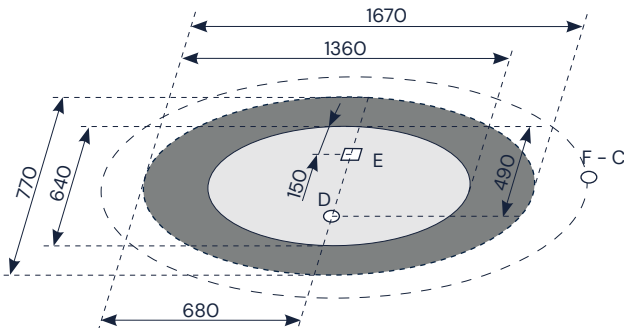
Optional finishes



Color applied externally | Couleur appliquée à l'extérieur | Color aplicado exteriormente

Preinstallation

FREE STANDING BATHTUBS

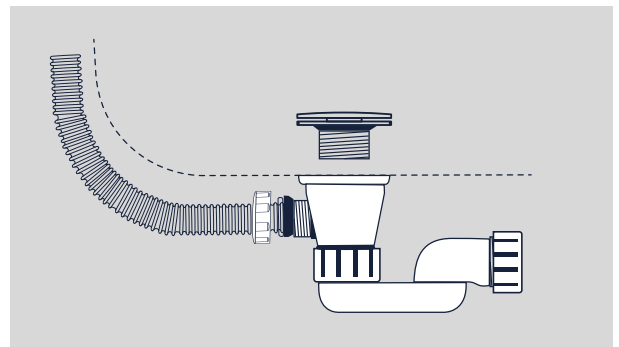


* Units in mm

- F Cold water connection for taps
- C Hot water connection for taps

- D Drain connection Ø 40 mm
- E Electrical connection IPX5

NOTE: Installation must be carried out with finished walls and flooring.



The data and characteristics indicated do not bind BAÑOS 10 S.L., which reserves the right to make any changes it deems appropriate, without being bound by it upon prior notice or replacement. Valid data except error or omission.



Ctra. Onda - Vila-real, Km. 12,6
12200 Onda (Castellón) Spain
+34 964 626 300

Customer service export@b10bath.com
www.b10bath.com