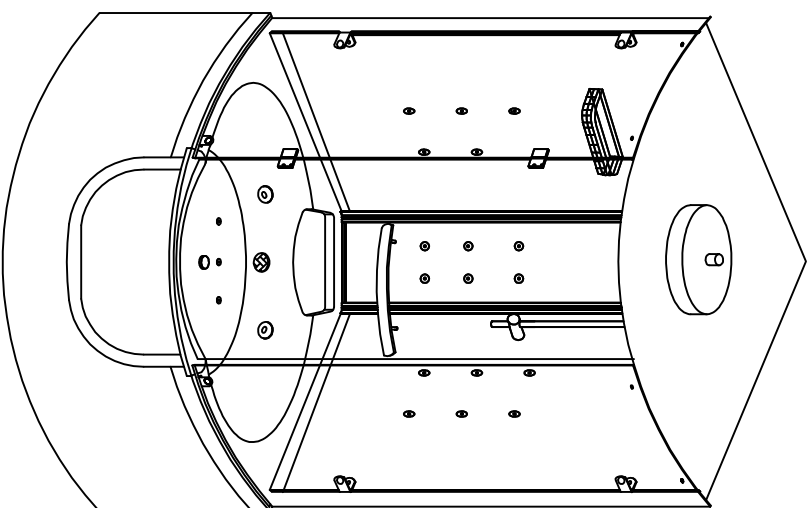
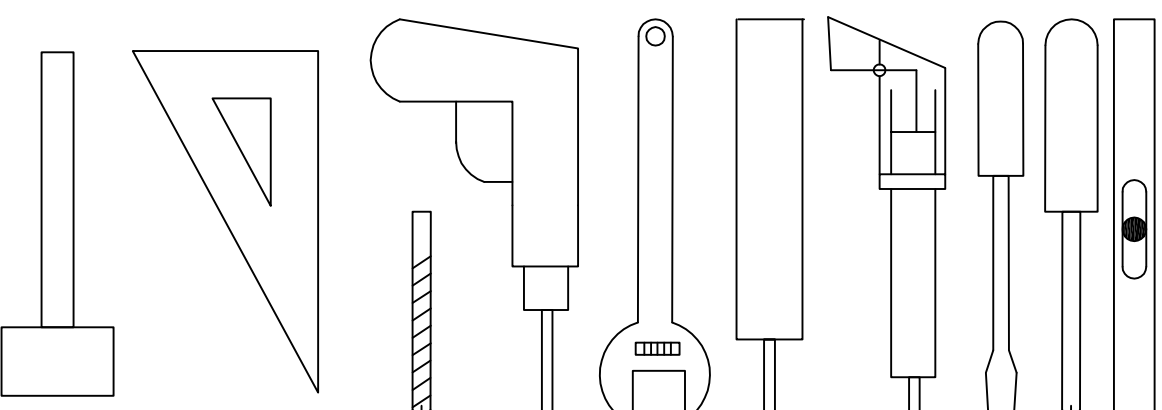


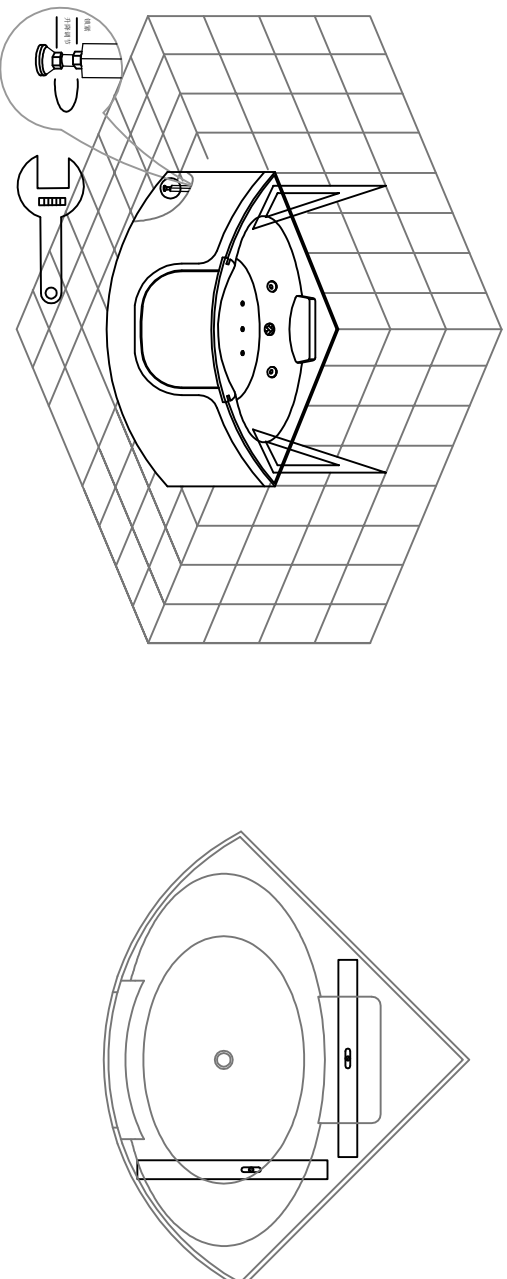
Installation Instruction
WS135/135-1/137/137-1



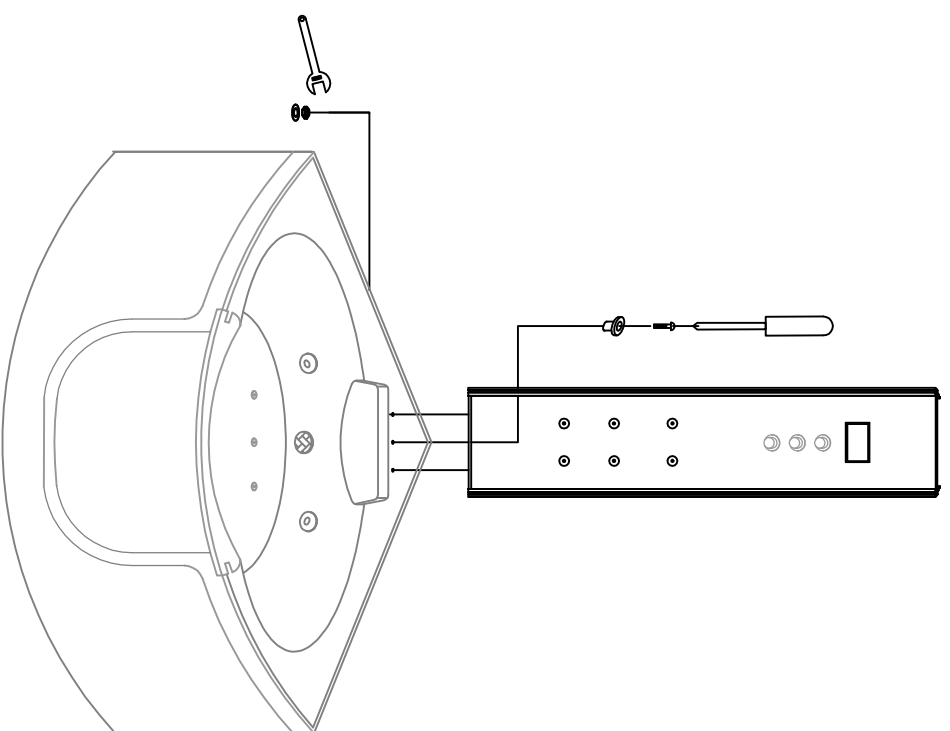
Tools: 1. Gradienter, 2. Screwdriver, 3. Glue gun, 4. Silicone, 5. Spanner,
6. Electric drill, 7. $\phi 9$ Aiguille, 8 Triangle ruler, 9. Hammer

- ☐ -----The part is inside the package.
- ☒ -----The part is installed on the product.

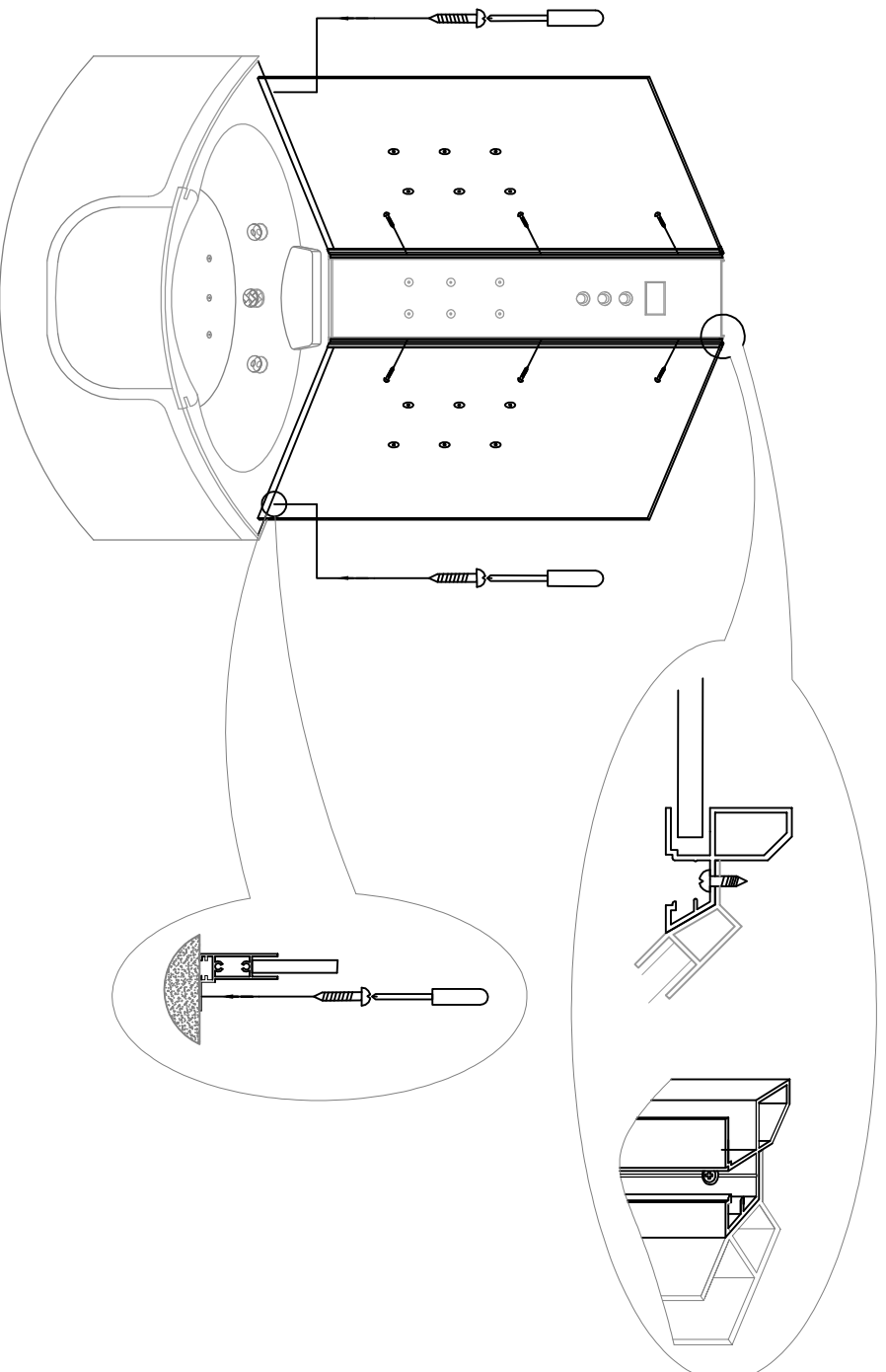




2. Adjust the bathtub: adjust the legs of the bathtub to make sure the bathtub is level, all the legs must have contact with floor.

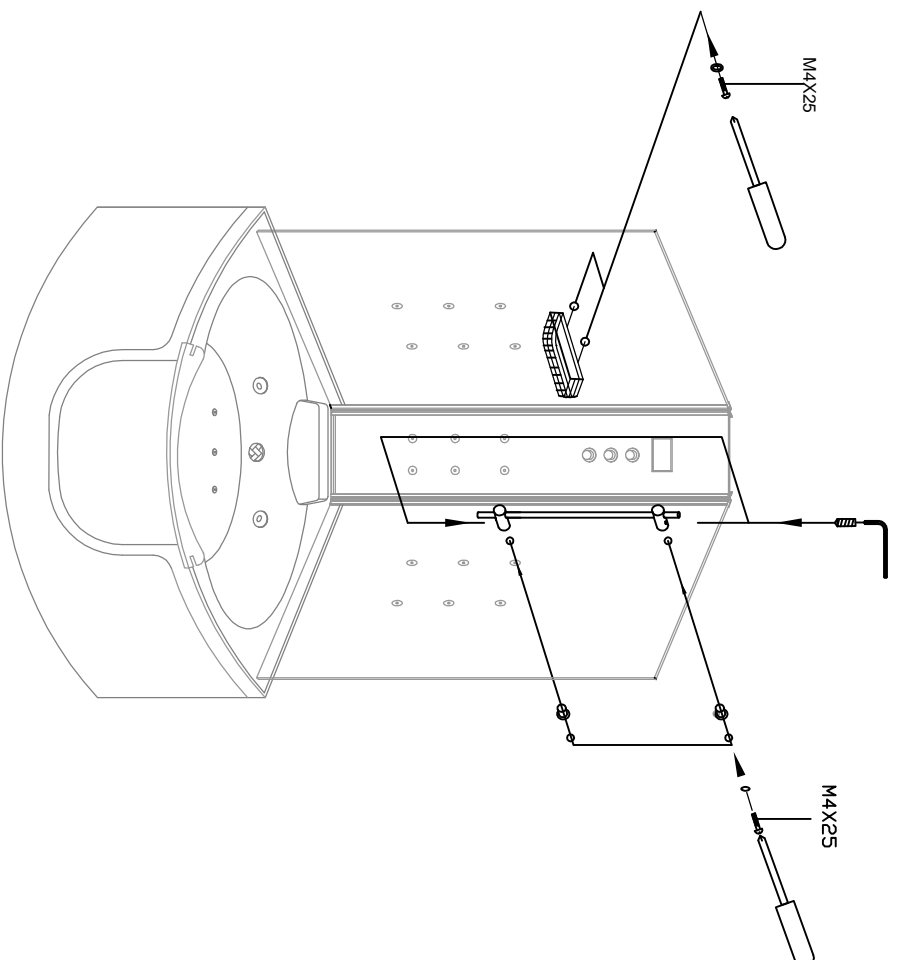


3. Install control panel : Use tapping screw connect control panel with the bathtub.

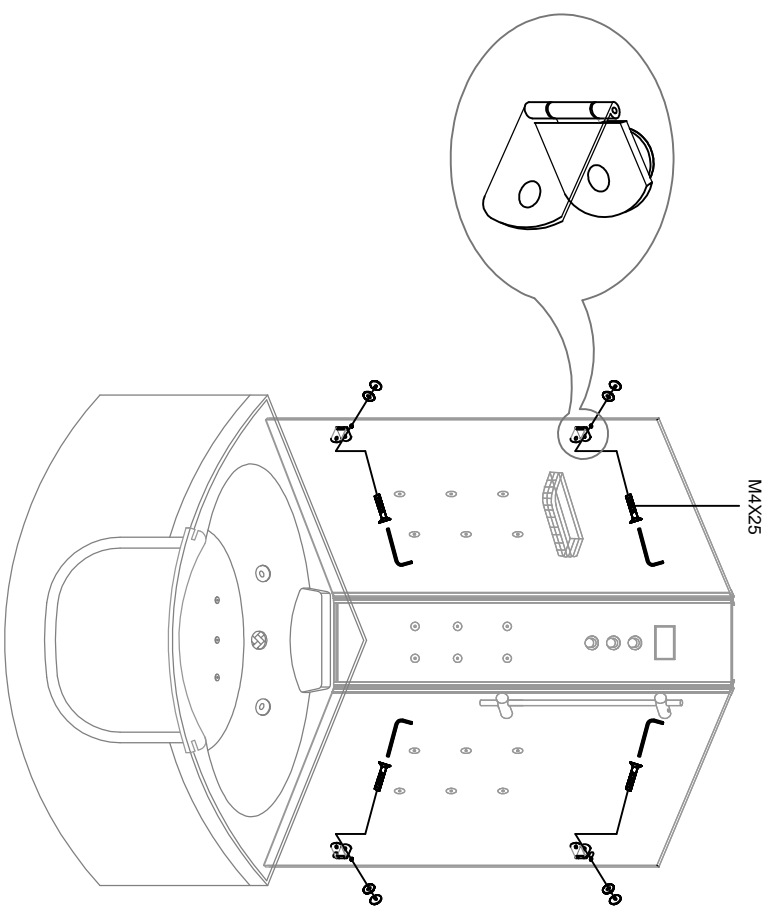


4. Install two side back panels :

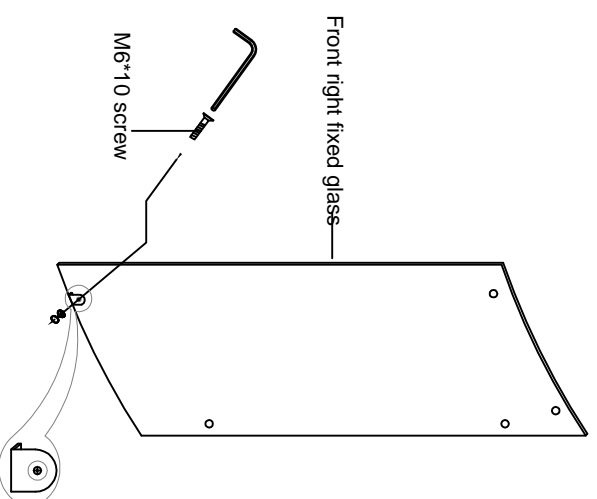
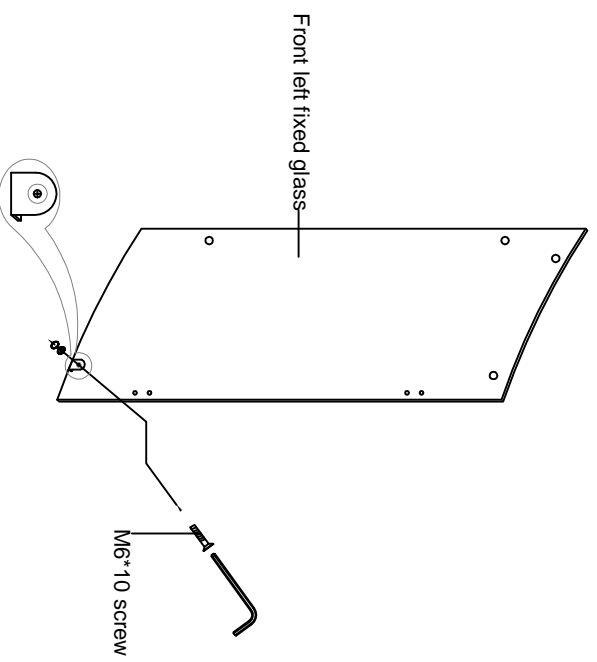
- (1) Using ST4*10 tapping screws connect the side back panels with control panel;
- (2) Using ST4*16 tapping screws connect the side back panels with the bathtub.



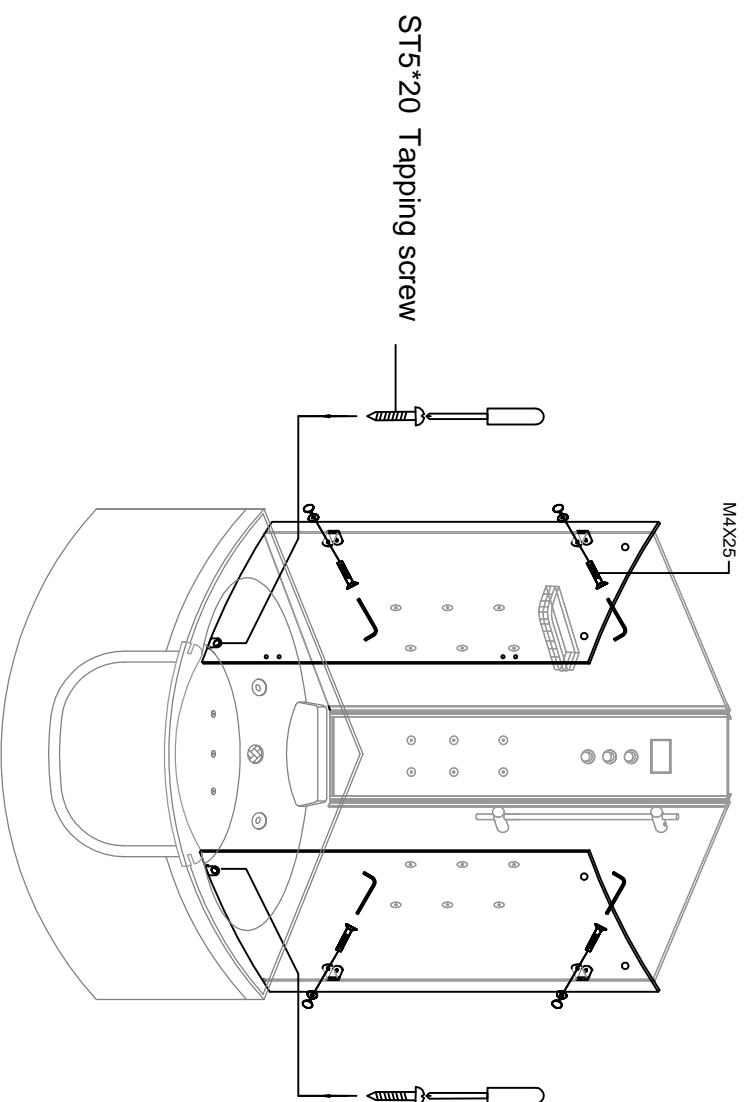
5. Install handshower adjust bar and the shampoo holder.



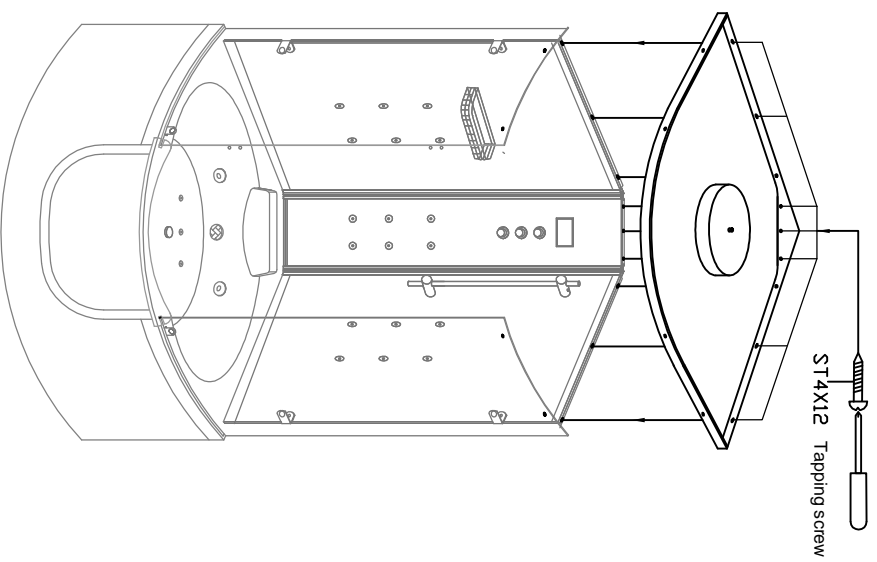
6. Install the adjustable door hinges .



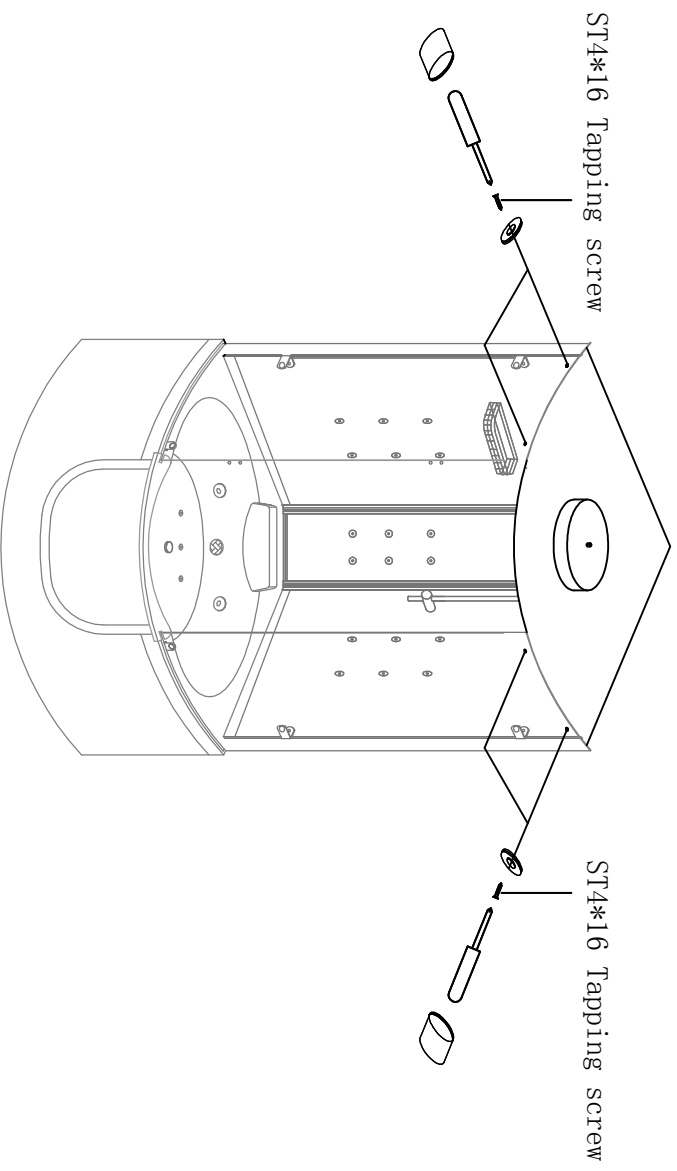
7. Install front fixed glass lower corner bracket:



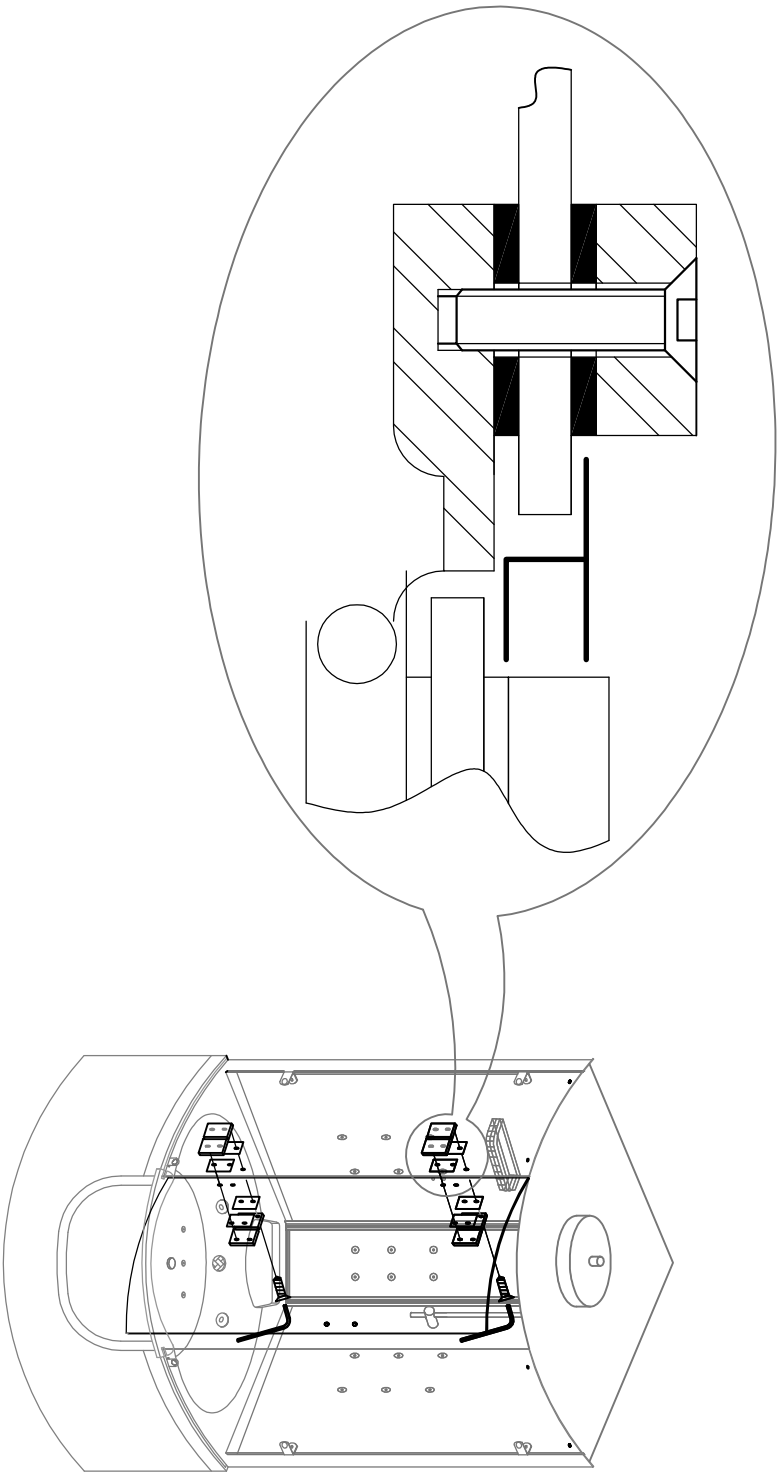
8. Install front fixed glass: Use adjustable hinge connect the side back panel with front fixed glass, and use lower corner bracket connect the front fixed glass with the bathtub.



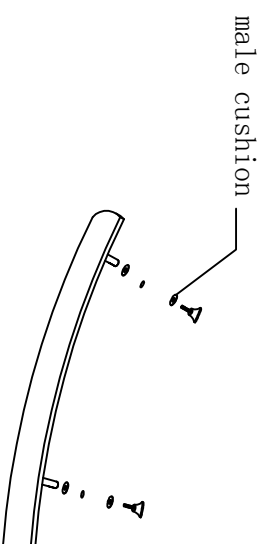
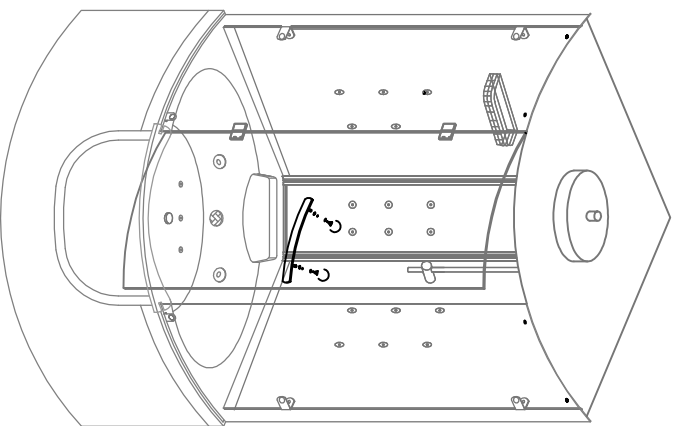
9. Install the ceiling cover : Use tapping screws connect the ceiling cover with control panel, side back panel.



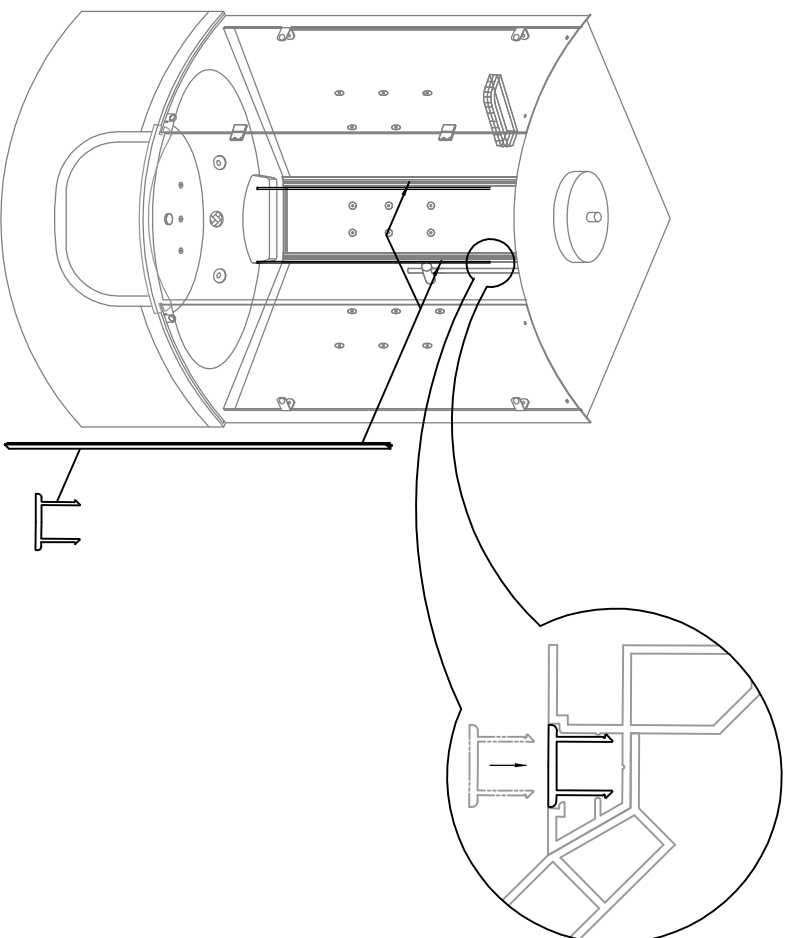
10. Using tapping screws connect the front fixed glass with the ceiling cover and put on the decoration cap.



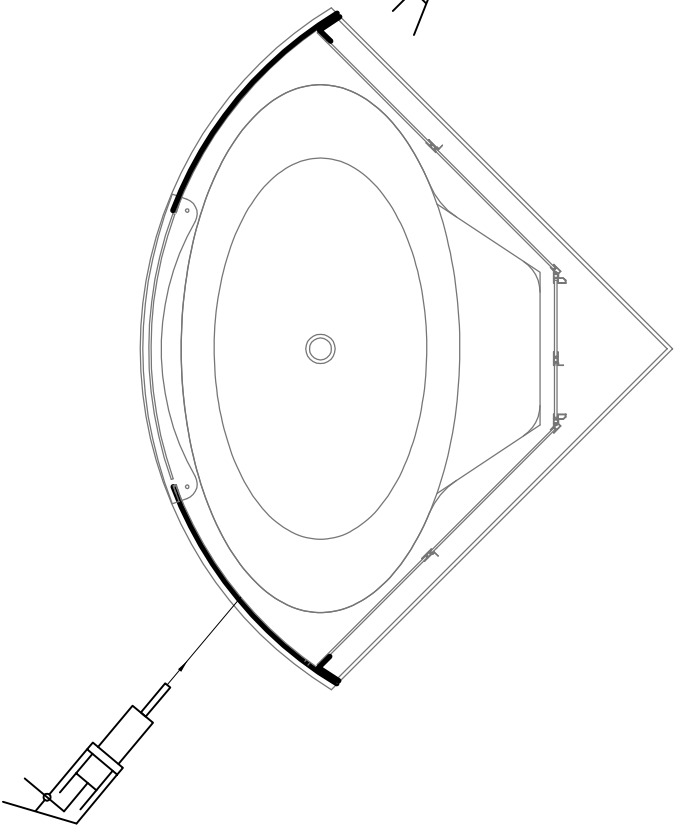
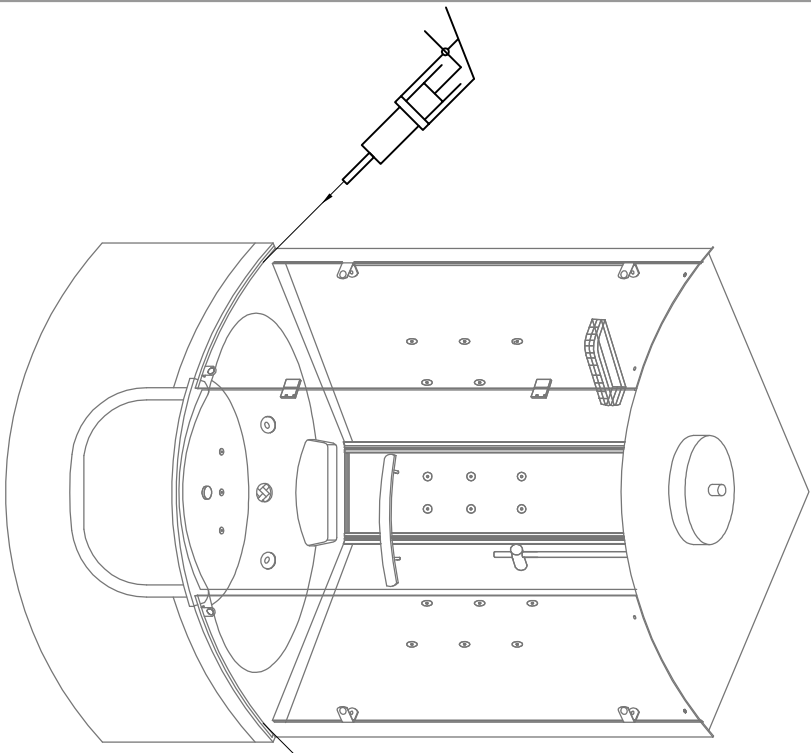
11. Install the movable glass door



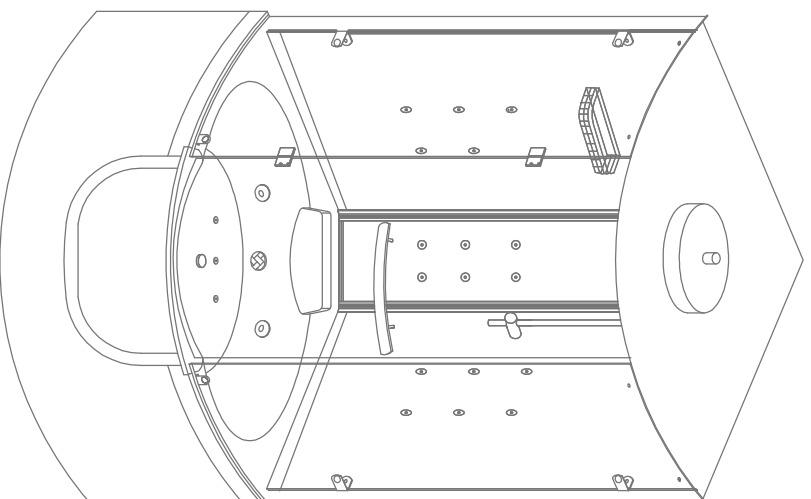
12. Install the door handle



13. Install the back control panel decoration aluminum profile



14. put silicone on indicated location



15. Use silicone around the cabin and push the cabin to its place after 24 hours, use the cabin after connecting the power and the water supply.